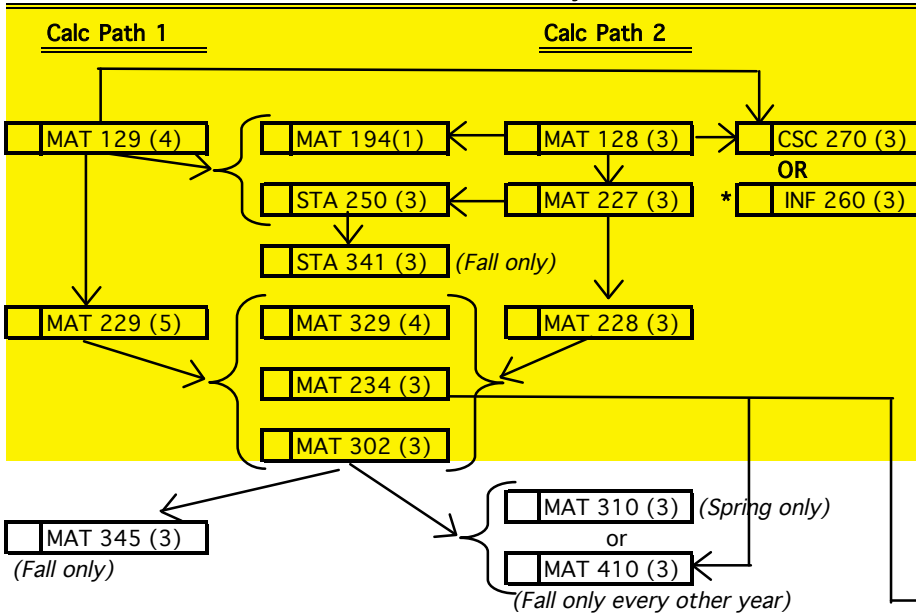


MATHEMATICS WITH SECONDARY EDUCATION OPTION – 2008-2009 (prepared 02/2008)

Mathematics Courses



MAT 497 (3) Must have completed at least 30 semester hours towards the major.

Complete one of the following sequences:
 MAT/STA 340 & STA 341 **OR** MAT 325 & 330
OR MAT 310 & 410 **OR** two 400-level MAT/STA courses

If total semester hours do not equal 44, then an additional course at the 300-level or above is required.

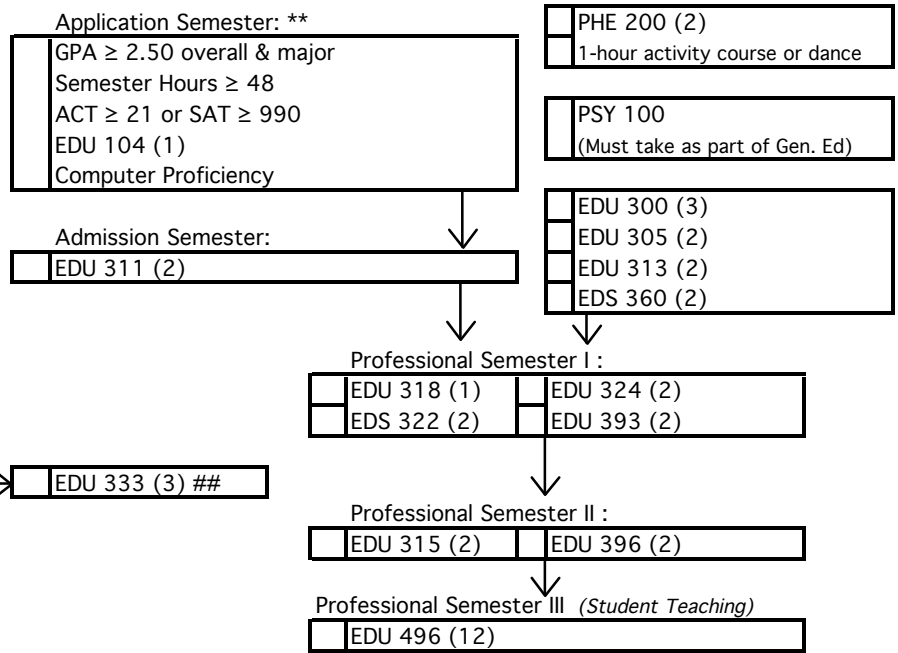
Recommend either have taken or taking MAT 345/310 prior to taking PRAXIS (certification requirement) exams (061 & 063) in mathematics.

Recommend completion of core courses (shaded) before applying to the Education program.

* INF 260 has INF 120 as a prerequisite and is an alternate to CSC 270

Education Courses*

Area of Concentration



Notes:
 *This is a four semester sequence with longer time periods allowed.
 EDU 104 is required for all education courses.
 **Computer proficiency is satisfied by CSC 270 or INF 260, and is required for EDU 313.
 EDU 300, 305, 313, 360 may be taken before or during Admission Semester.
 Professional Semesters I & II must be taken consecutively..
 ## EDU 333 must be taken with whichever Professional Semester is done in the fall.
 Professional Semesters I & II are blocked during morning hours.
 Completion of at least 85% of course work in the major is required prior to student-teaching.